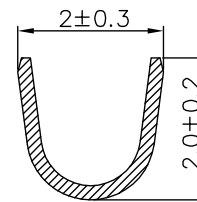
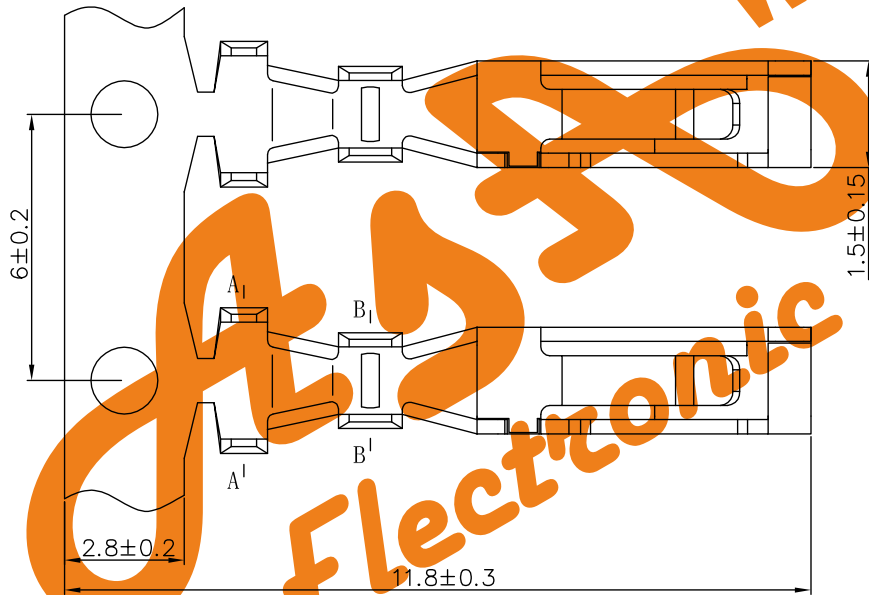
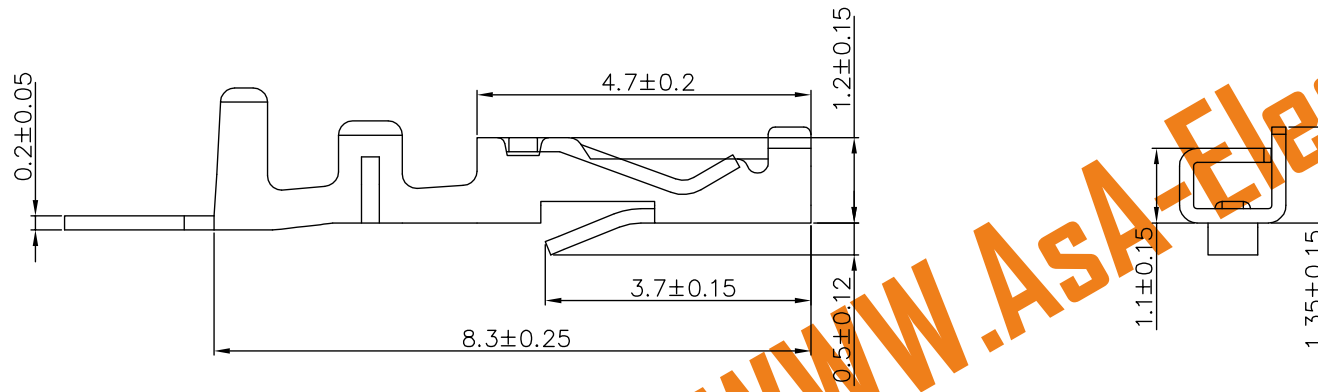
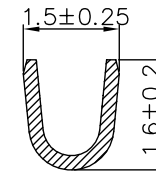


Female-Terminal



A-A



B-B



WWW.AsA-Elec.com

AsA Electronic Co.

Tel : (+98) 21 66 73 56 82 Mob : (+98) 912 03 161 02

Item						
Terminal						
20032		Unit	Scale	Design Unit	Size	Part No.
WW20032-PT		mm	—	Metric	A4	
Draw	Review	Approve	Material	Drawing No.	Part No.	
				Material	Phosphor Bronze	

